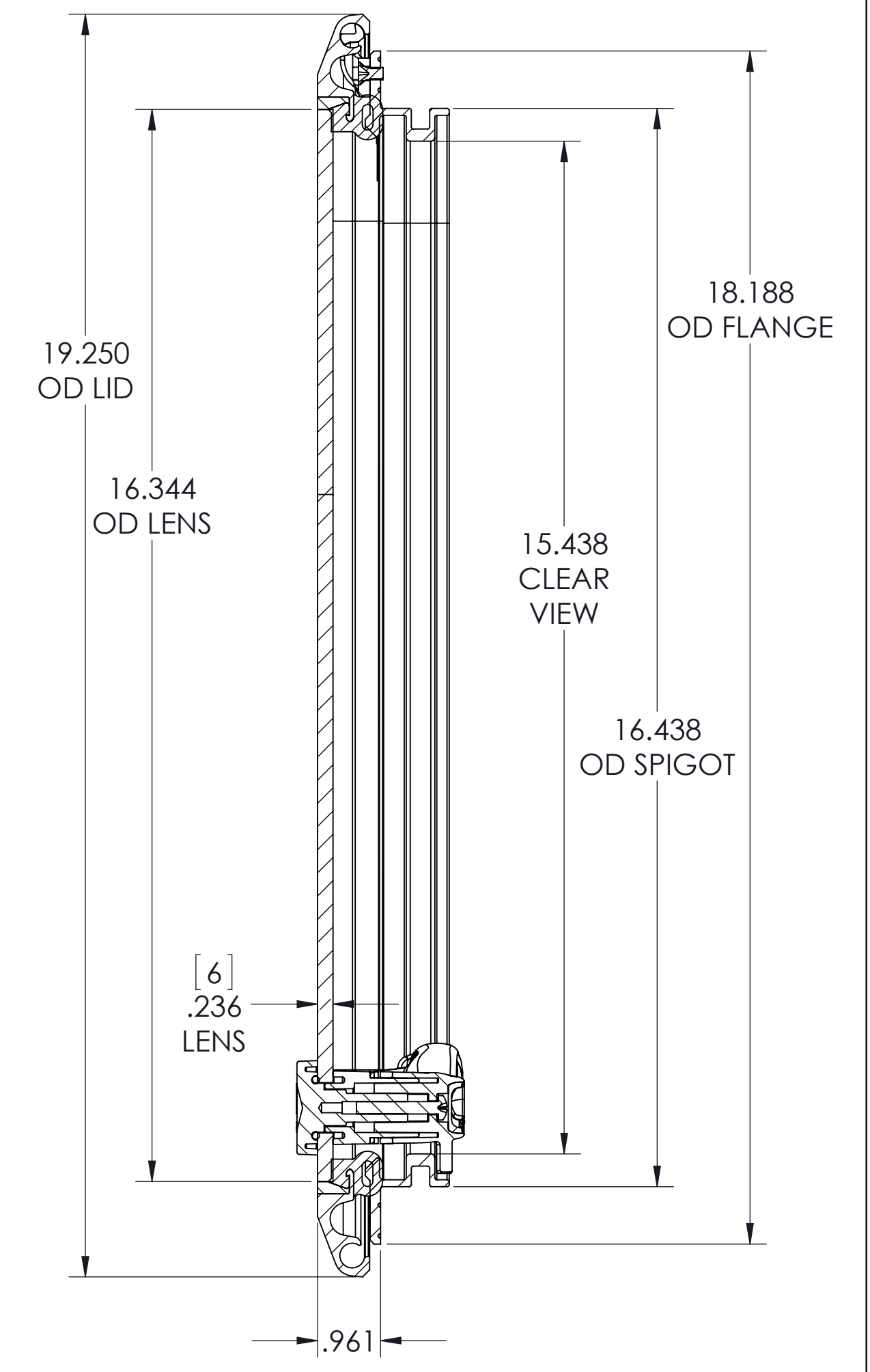
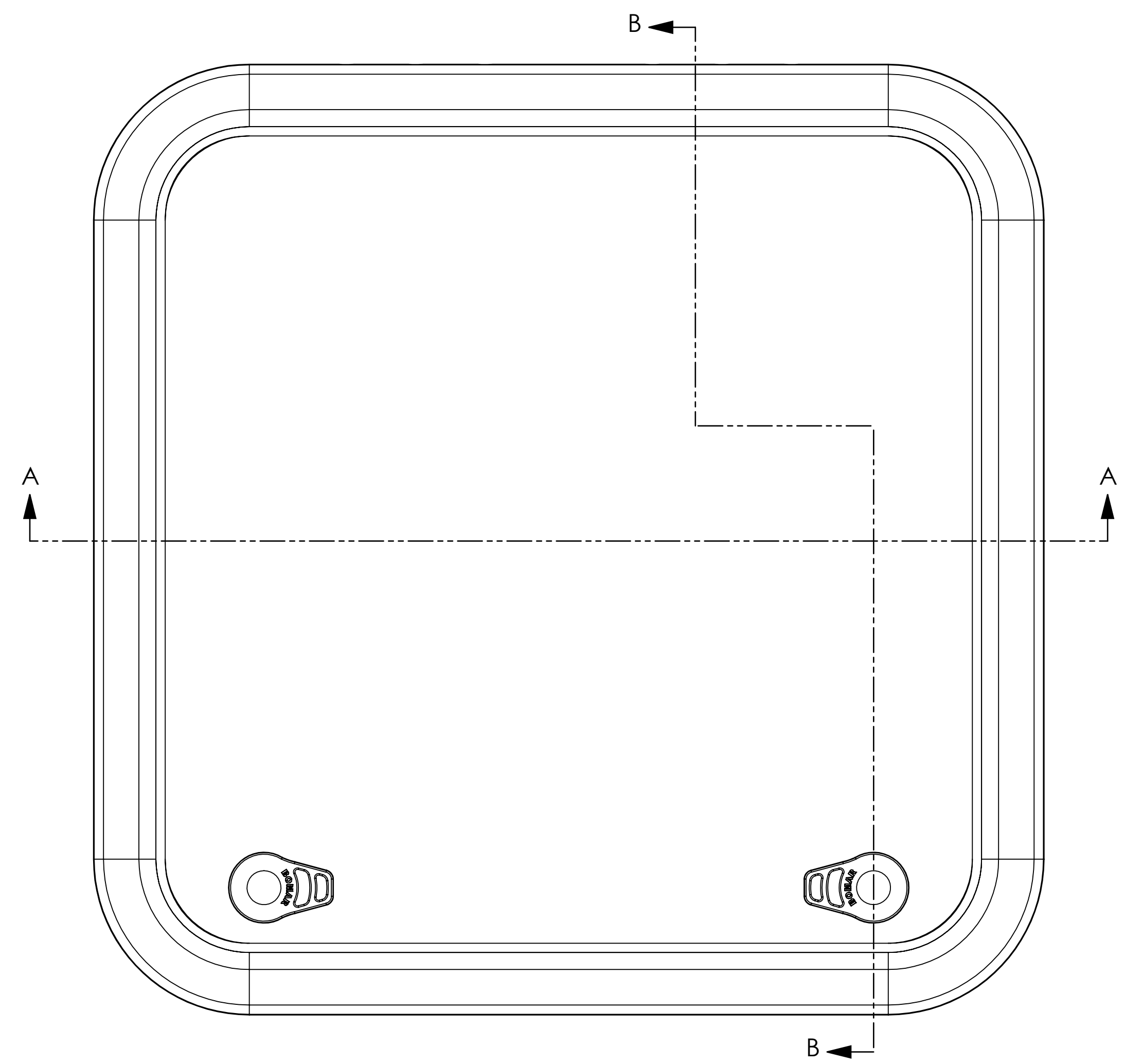
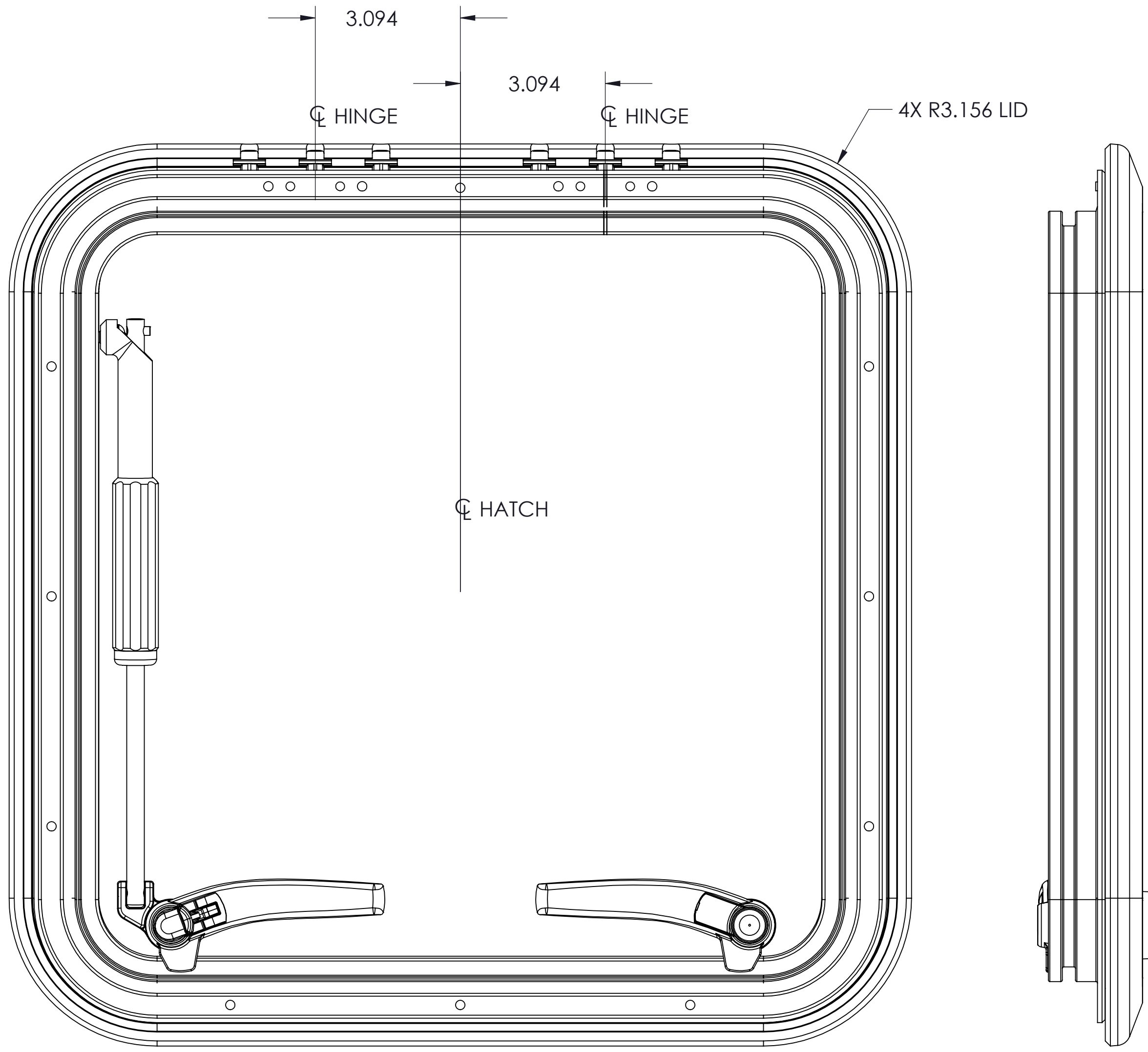
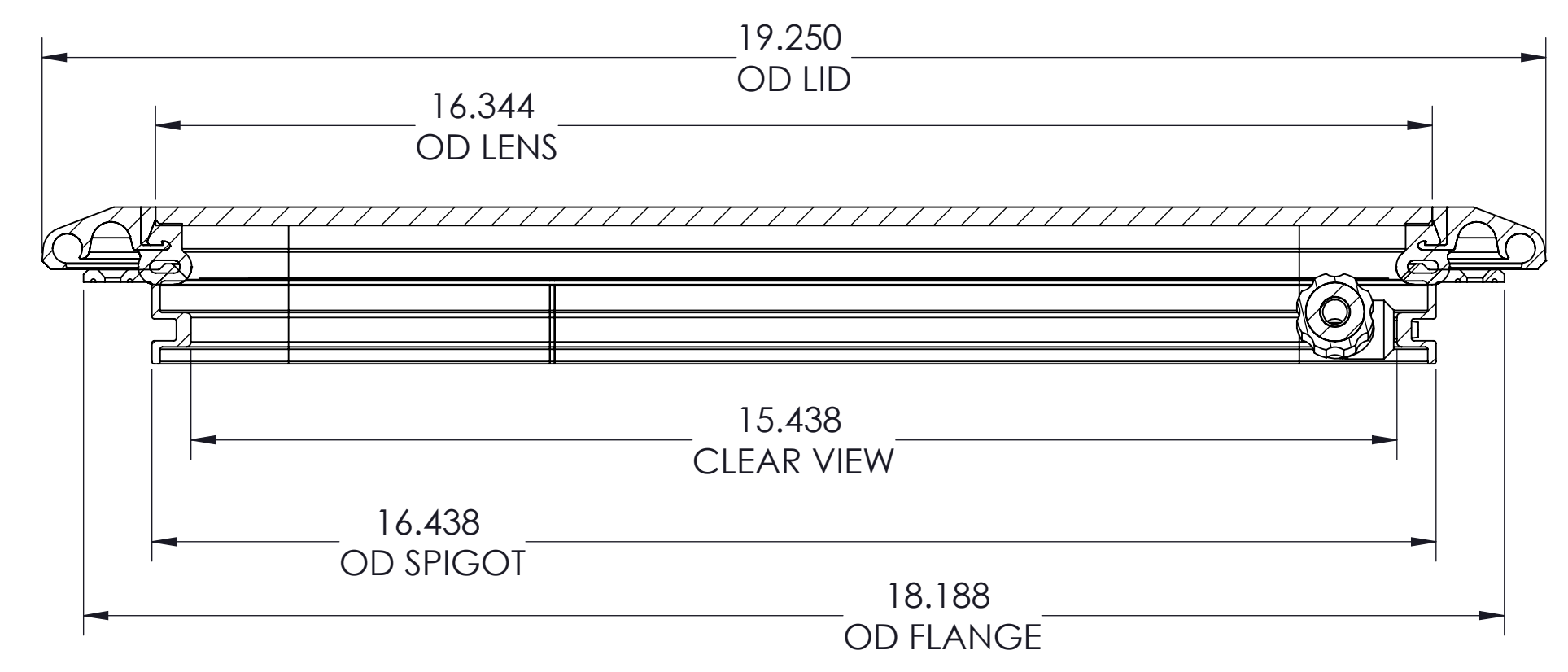
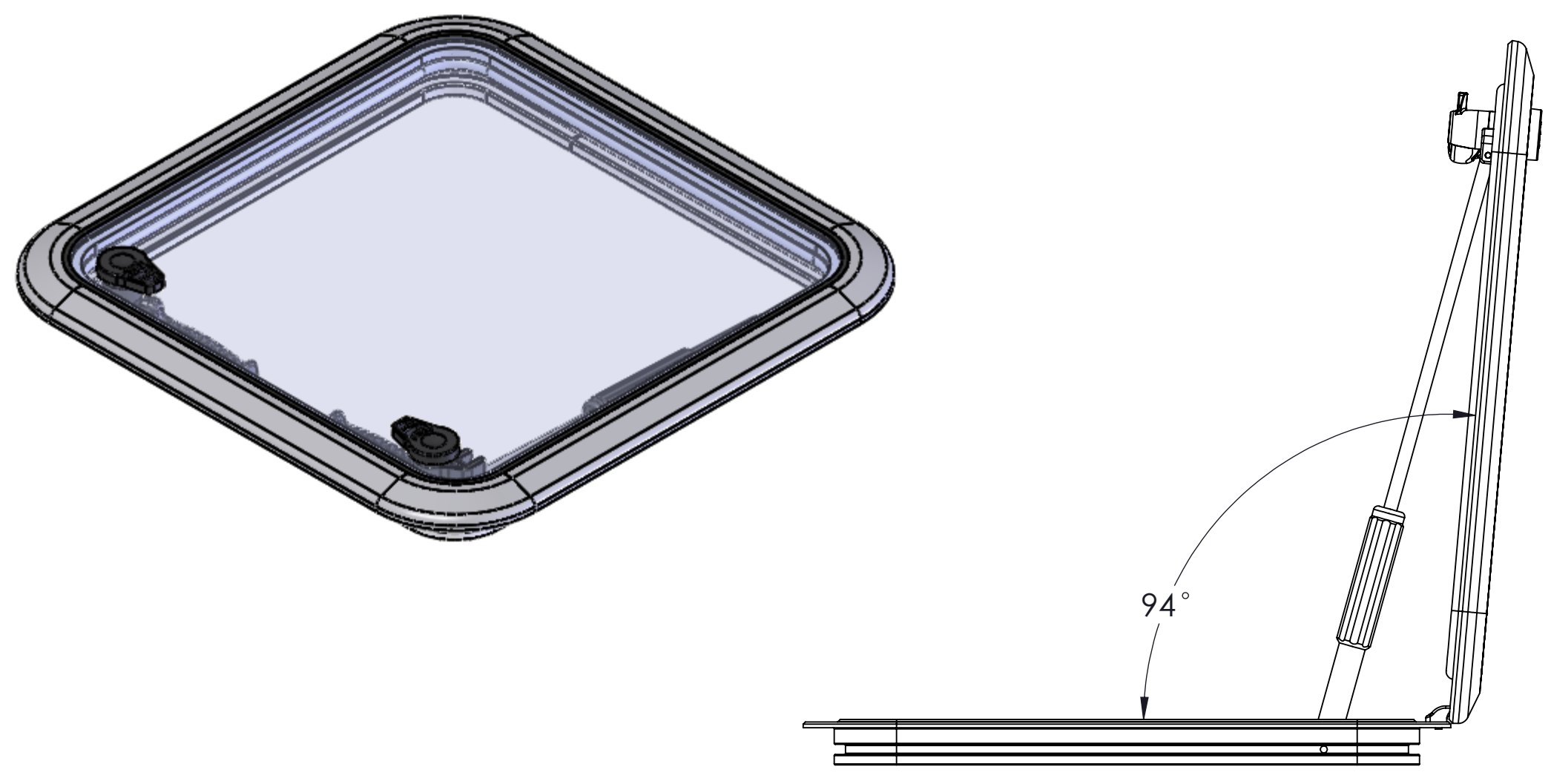


REVISIONS			
REV.	DESCRIPTION	DATE	APPROVED



SECTION B-B



SECTION A-A

NOTE:
SUGGESTED CUTOUT = 16-9/16X 16-9/16
CUTOUT RADIUS = 1-11/16 RADIUS

<small>THIS DRAWING IS THE PROPERTY OF POMPANETTE, LLC, CHARLESTON, W.V. ALL RIGHTS ARE RESERVED. THIS DRAWING AND INFORMATION MAY NOT BE COPIED OR DISCLOSED TO OTHERS WITHOUT WRITTEN PERMISSION OF POMPANETTE, LLC.</small>		BOMAR BOWERS		<small>DIV. OF Pompanette INC. 73 SOUTHWEST ST. PO BOX 1200 CHARLESTOWN, W.V. 25003 PH: (606) 626-5761 FAX: (606) 626-5074</small>
SCALE: ±1/64	TITLE: LOW PRO HATCH ASSEMBLY with 'P' STYLE TOP	DESIGNER: SEE BOM	DATE: JPERRY	REV: 1 OF 1
TOLERANCES: XXX = ±.005 XX = ±.01	SCALE: 1:2	DATE: 8/6/12	PART NO: N1070-10P	